

Advanced Message Processing System (AMPS) Evaluation Guide



Advanced Message Processing System (AMPS) Evaluation Guide

5.0

Publication date Jan 19, 2017

Copyright © 2016

All rights reserved. 60East, AMPS, and Advanced Message Processing System are trademarks of 60East Technologies, Inc. All other trademarks are the property of their respective owners.

Table of Contents

1. Introduction to 60East Technologies AMPS	1
1.1. Product Overview	1
1.2. Software Requirements	2
1.3. Document Conventions	2
1.4. Obtaining Support	3
2. Getting Started	6
2.1. Installing AMPS	6
2.2. Starting AMPS	6
2.3. Admin View of the AMPS Server	7
2.4. Interacting with AMPS Using Spark	7
2.5. JSON Messages - A Quick Primer	7
3. Publish and Subscribe	9
3.1. Topics	9
3.2. Filtering Subscriptions By Content	11
4. State of the World (SOW)	13
4.1. How Does the State of the World Work?	13
4.2. Queries	14
4.3. Configuration	14
5. Advanced Topics	19
5.1. Event Logging	19
5.2. Message Record and Replay	19
5.3. Message Queues	19
5.4. Conflated Topics	20
5.5. View Topics and Aggregation	20
5.6. Historical SOW Query	20
5.7. Utilities	20
5.8. Monitoring Interface	21
5.9. High Availability	21
6. Next Steps	22
6.1. Operation and Deployment	22
6.2. Application Development	22
Index	23

Chapter 1. Introduction to 60East Technologies AMPS

Thank you for choosing the Advanced Message Processing System (AMPS™) from 60East Technologies™. AMPS is more than a publish and subscribe system. It is a feature-rich platform that enables you to easily build data intensive applications that provide previously unattainable low latency and high performance. AMPS combines a set of capabilities that cut across traditional component divisions. 60East designed the capabilities based on the needs of some of the most demanding data-intensive applications on the planet, and engineered the capabilities to work together seamlessly and provide the kind of performance and latency that those applications demand.

1.1. Product Overview

AMPS, the Advanced Message Processing System, is built around an incredibly fast messaging engine that supports both publish-subscribe messaging and queuing. AMPS combines the capabilities necessary for scalable high-throughput, low-latency messaging in realtime deployments such as in financial services. AMPS goes beyond basic messaging to include advanced features such as high availability, historical replay, aggregation and analytics, content filtering and continuous query, last value caching, focus tracking, and more.

Furthermore, AMPS is designed and engineered specifically for next generation computing environments. The architecture, design and implementation of AMPS allows the exploitation of parallelism inherent in emerging multi-socket, multi-core commodity systems and the low-latency, high-bandwidth of 10Gb Ethernet and faster networks. AMPS is designed to detect and take advantage of the capabilities of the hardware of the system on which it runs.

AMPS does more than just route and deliver messages. AMPS was designed to lower the latency in real-world messaging deployments by focusing on the entire lifetime of a message from the message's origin to the time at which a subscriber takes action on the message. AMPS considers the full message lifetime, rather than just the "in flight" time, and allows you to optimize your applications to conserve network bandwidth and subscriber CPU utilization -- typically the first elements of a system to reach the saturation point in real messaging systems.

AMPS offers both topic and content based subscription semantics, which makes it different than most other messaging platforms. Some of the highlights of AMPS include:

- Topic and content based publish and subscribe
- Message queuing, including content-based filtering and configurable strategies for delivery fairness
- Client development kits for popular programming languages such as Java, C#, C++, C and Python
- Built in support for FIX, NVFIX, JSON, BSON, BFlat, Google Protocol Buffer and XML messages. AMPS also supports uninterpreted binary messages, and allows you to create composite message types from existing message types.
- State-of-the-World queries
- Historical State-of-the-World queries
- Easy to use command interface
- Full Perl-compatible regular expression matching
- Content filters with SQL92 **WHERE** clause semantics

- Built-in latency statistics and client status monitoring
- Advanced subscription management, including delta publish and subscriptions and out-of-focus notifications
- Basic CEP capabilities for real-time computation and analysis
- Aggregation within topics and joins between topics, including joins between different message types
- Replication for high availability
- Fully queryable transaction log
- Message replay functionality
- Fully-integrated authentication and entitlement system, including content-based entitlement for fine-grained control
- Optional encryption (SSL) between client and server. *In this release, SSL support is provided as a preview.*
- Extensibility API for adding message types, user-defined functions, user-specified actions, authentication, and entitlement functionality

1.2. Software Requirements

AMPS is supported on the following platforms:

- Linux 64-bit (2.6 kernel or later) on x86 compatible processors





While 2.6 is the minimum kernel version supported, AMPS will select the most efficient mechanisms available to it and thus reaps greater benefit from more recent kernel and CPU versions.

1.3. Document Conventions

This manual is an introduction to the 60East Technologies AMPS product. It assumes that you have a working knowledge of Linux, and uses the following conventions.

Table 1.1. Documentation Conventions

Construct	Usage
text	standard document text
code	inline code fragment
<i>variable</i>	variables within commands or configuration
	usage tip or extra information
	usage warning

Construct	Usage
required	required parameters in parameter tables
optional	optional parameters in parameter tables

Additionally, here are the constructs used for displaying content filters, XML, code, command line, and script fragments.

```
(expr1 = 1) OR (expr2 = 2) OR (expr3 = 3) OR (expr4 = 4) OR (expr5 = 5) OR  
(expr6 = 6) OR (expr7 = 7) OR (expr8 = 8)
```

Command lines will be formatted as in the following example:

```
find . -name *.java
```

1.4. Obtaining Support

For an outline of your specific support policies, please see your 60East Technologies License Agreement. Support contracts can be purchased through your 60East Technologies account representative.

Support Steps

You can save time if you complete the following steps before you contact 60East Technologies Support:

1. Check the documentation. The problem may already be solved and documented in the *User's Guide* or reference guide for the product. 60East Technologies also provides answers to frequently asked support questions on the support web site at <http://support.crankuptheamps.com>.
2. Isolate the problem.

If you require Support Services, please isolate the problem to the smallest test case possible. Capture erroneous output into a text file along with the commands used to generate the errors.

3. Collect your information.

- Your product version number.
- Your operating system and its kernel version number.
- The expected behavior, observed behavior and all input used to reproduce the problem.
- Submit your request.
- If you have a minidump file, be sure to include that in your email to crash@crankuptheamps.com.

The AMPS version number used when reporting your product version number follows a format listed below. The version number is composed of the following:

```
MAJOR.MINOR.MAINTENANCE.HOTFIX.TIMESTAMP.TAG
```

AMPS Versioning and Certification

Each AMPS version number component has the following breakdown:

Table 1.2. Version Number Components

Component	Description	Minimum Verification
MAJOR	Increments when there are any backward-incompatible changes in functionality, file formats, client network formats or configuration; or when deprecated functionality is removed. May introduce major new functionality or include internal improvements that introduce major behavioral changes.	Megacert
MINOR	Increments when functionality is added in a backwards-compatible way, or when functionality is deprecated. May include internal improvements, including internal improvements that introduce minor behavioral changes or changes to network formats used only by the AMPS server (such as replication).	Megacert
MAINTENANCE	Increments with standard bug fixing and maintenance. May introduce behavioral changes to fix incorrect behavior, to enhance performance, or to enable a feature to work as intended. May include internal enhancements that do not introduce behavioral changes.	Kilocert
HOTFIX	A release for a critical defect impacting a customer. A hotfix release is designed to be 100% compatible with the release it fixes (that is, a release with same MAJOR.MINOR.MAINTENANCE version). May introduce behavioral changes to fix incorrect behavior. May document previously undocumented features or extend surface area to improve usability for existing features.	Cert
TIMESTAMP	Proprietary build timestamp.	(does not affect verification level)
TAG	Identifier that corresponds to precise code used in the release.	(does not affect verification level)

The certification levels are defined in the following table. Notice that, in all cases, 60East will certify at a higher level if time permits or if a change involves a critical part of AMPS (such as replication or internal utility classes that are widely used).

Table 1.3. Certification Level Definitions

Certification Level	Description	Time to Certify
Megacert	Performance and long-haul testing.	less than 2 weeks
	Full regression suite and stress-testing suite, including replication testing and application scenario tests.	
	Full unit testing suite, including new unit tests to verify correct behavior of bugfixes in this release.	

Certification Level	Description	Time to Certify
Kilocert	Full regression suite and stress-testing suite, including replication testing and application scenario tests. Full unit testing suite, including new unit tests to verify correct behavior of bugfixes in this release.	less than 1 week
Cert	Full unit testing suite, including new unit tests to verify correct behavior of bugfixes in this release. Replication testing suite if release affects replication code.	4 hours

Contacting 60East Technologies Support

Please contact 60East Technologies Support Services according to the terms of your 60East Technologies License Agreement.

Support is offered through the United States:

Toll-free:	(888) 206-1365
International:	(702) 979-1323
FAX:	(888) 216-8502
Web:	http://www.crankuptheamps.com
E-Mail:	sales@crankuptheamps.com
Support:	support@crankuptheamps.com

Chapter 2. Getting Started

This chapter is for users who are new to AMPS and want to get up and running on a simple instance of AMPS. This chapter will walk new users through the file structure of an AMPS installation, configuring a simple AMPS instance and running the demonstration tools provided as part of the distribution to show how a simple publisher can send messages to AMPS.

2.1. Installing AMPS

To install AMPS, unpack the distribution for your platform where you want the binaries and libraries to be stored. For the remainder of this guide, the installation directory will be referred to as `$AMPSDIR` as if an environment variable with that name was set to the correct path.

Within `$AMPSDIR` the following sub-directories listed in Table 2.1.

Table 2.1. AMPS Distribution Directories

Directory	Description
bin	AMPS engine binaries and utilities
docs	Documentation
lib	Library dependencies
sdk	Include files for the AMPS extension API



AMPS client libraries are available as a separate download from the AMPS web site. See the AMPS developer page at <http://www.crankuptheamps.com/developer> to download the latest libraries.

2.2. Starting AMPS

The AMPS Engine binary is named `ampServer` and is found in `$AMPSDIR/bin`. Start the AMPS engine with a single command line argument that includes a valid path to an AMPS configuration file. You use the configuration file to enable and configure the AMPS features that your application will use. This guide discusses the most commonly-used configuration options for each feature, and the full set of options is described in the *AMPS Configuration Guide*.

The AMPS server can generate a sample configuration file with the `--sample-config` option. For example, you can save the sample configuration file to `$AMPSDIR/amps_config.xml` with the following command line:

```
$AMPSDIR/bin/ampServer --sample-config > $AMPSDIR/amps_config.xml
```

Once you have a configuration file saved to `$AMPSDIR/amps_config.xml` you can start AMPS with that file as follows:

```
$AMPSDIR/bin/ampServer $AMPSDIR/amps_config.xml
```

The sample configuration file generated by AMPS includes a very minimal configuration. The client evaluation kits include a sample configuration file that sets up AMPS to work with the samples, and the *AMPS Configuration Guide* contains a full description of the configuration items with sample configuration snippets.



AMPS uses the current working directory for storing files (logs and persistence) for any relative paths specified in the configuration. While this is important for real deployments, the demo configuration used in this chapter does not persist anything, so you can safely start AMPS from any working directory using this configuration.



On older processor architectures, `ampServer` will start the `ampServer-compat` binary. The `ampServer-compat` binary avoids using hardware instructions that are not available on these systems.

You can also set the `AMPS_PLATFORM_COMPAT` environment variable to force `ampServer` to start the `ampServer-compat` binary. 60East recommends using this option only on systems that do not support the hardware instructions used in the standard binary. The `ampServer-compat` binary will not perform as well as `ampServer`, since it uses fewer hardware optimizations.

If your first start-up is successful, you should see AMPS display a simple message similar to the following to let you know that your instance has started correctly.

```
AMPS 5.0.X.X.973814.e1a57f7 - Copyright (c) 2006-2016 60East Technologies  
Inc.  
(Built: 2015-02-15T00:26:45Z)  
For all support questions: support@crankuptheamps.com
```

If you see this, congratulations! You have successfully cranked up the AMPS!

2.3. Admin View of the AMPS Server

When AMPS has been started correctly, you can get an indication as to whether AMPS is running or not by connecting to its admin port with a browser at `http://<host>:<port>` where `<host>` is the host the AMPS instance is running on and `<port>` is the administration port configured in the configuration file.

When successful, a hierarchy of information regarding the instance will be displayed. If you've started AMPS using the sample configuration file, try connecting to `http://localhost:8085/amps`. For more information on the monitoring capabilities, please see the *AMPS Monitoring Reference Guide*, available from the 60East documentation site at <http://docs.crankuptheamps.com/>.

2.4. Interacting with AMPS Using Spark

AMPS provides the `spark` utility as a command line interface to interacting with an AMPS server. `spark` provides many of the capabilities of the AMPS client libraries through this interface. The utility lets you execute commands like `'subscribe'`, `'publish'`, `'sow'`, `'sow_and_subscribe'` and `'sow_delete'`.

You can read more about `spark` in the `spark` chapter of the AMPS User Guide. Other useful tools for troubleshooting AMPS are described in the *AMPS Utilities Guide*.

2.5. JSON Messages - A Quick Primer

AMPS includes support for a wide variety of message types, as well as the ability to develop custom message types and to send binary payloads. This section focuses on JSON as the main message type used for samples in this guide. We use JSON for the guide because the format is simple, easily readable, and already in use in many environments.

JSON format is a simple, standardized message format. JSON has two basic constructs:

- objects that consist of key / value pairs
- arrays of values

JSON supports hierarchical construction: the value for a key can be a single value, an array of values, or another set of key/value pairs. For example, the following JSON message includes two nested sets of key value pairs. Notice that a key only needs to be unique within each set of values -- the name value for the ship does not conflict with the name value for the character.

```
{ "id" : 73,
  "character" :
    { "name" : "Han Solo",
      "occupation" : "smuggler",
      "ship" :
        { "name" : "Millennium Falcon",
          "speed" : ".5 past light speed",
          "cargo" :
            [ "widgets", "baskets", "spice" ]
        }
    }
}
```

Many AMPS applications use JSON as the payload. In addition, the `amps` protocol used by most AMPS applications represents commands to AMPS in a JSON-format header. For example, a publish command might look like:

```
{"c":"publish","t":"test-topic"}{ "id" : 1, "message" : "Hello, World!" }
```

The command to AMPS, using the `amps` protocol, is a JSON document which contains the header information for AMPS -- in this case, a publish to the topic `test-topic`. The header is followed by the message body, the payload of the command.

While the `amps` protocol is implemented as JSON, you can use any message type with the `amps` protocol: the header for the command will still be JSON, while the body can be in the message type of your choice, as in the sample below, which publishes to an XML topic:

```
{ "c":"publish","t":"xml-topic"}<example><id>1</id><message>Hello, world!</message></example>
```

The AMPS client libraries create and parse AMPS headers. For example, the `publish` method in the AMPS client libraries creates the appropriate header for a publish command based on the provided parameters.

Your applications use the `Message` and `Command` interfaces of the AMPS client libraries to work with the AMPS headers. There is no need for your application to parse or serialize the AMPS headers directly.



The AMPS client libraries handle creating and parsing AMPS headers. They do not parse or interpret the payload data on received `Message`, instead returning the payload as a string.

Chapter 3. Publish and Subscribe

AMPS is a publish and subscribe message delivery system, which routes messages from publishers to subscribers. “Pub/Sub” systems, as they are often called, are a key part of most enterprise message buses, where publishers broadcast messages without necessarily knowing all of the subscribers that will receive them. This decoupling of the publishers from the subscribers allows maximum flexibility when adding new data sources or consumers.

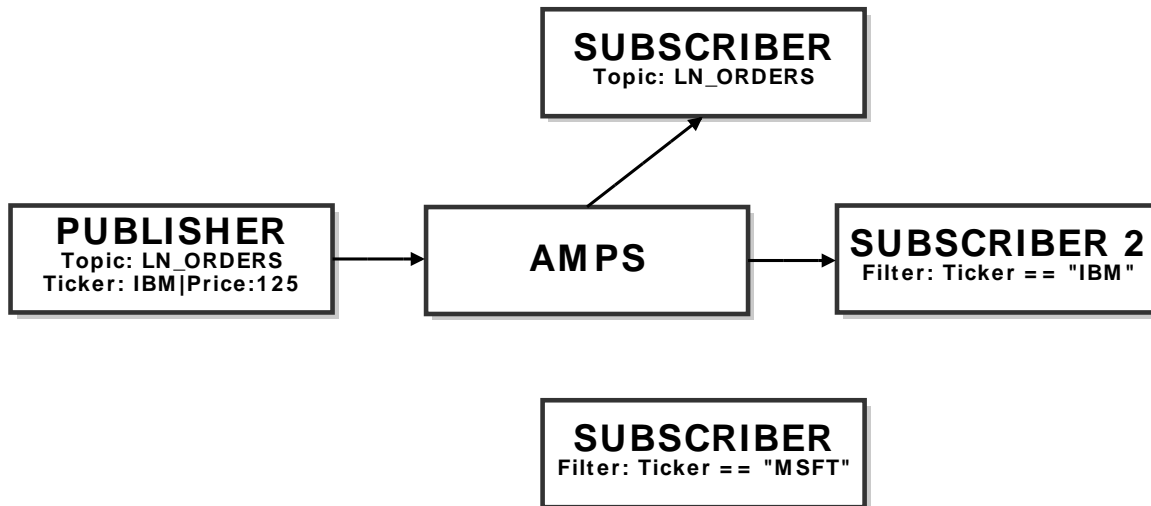


Figure 3.1. Publish and Subscribe

AMPS can route messages from publishers to subscribers using a topic identifier and/or content within the message's payload. For example, in Figure 3.1, there is a Publisher sending AMPS a message pertaining to the LN_ORDERS topic. The message being sent contains information on Ticker “IBM” with a Price of 125, both of these properties are contained within the message payload itself (i.e., the message content). AMPS routes the message to Subscriber 1 because it is subscribing to all messages on the LN_ORDERS topic. Similarly, AMPS routes the message to Subscriber 2 because it is subscribed to any messages having the Ticker equal to “IBM”. Subscriber 3 is looking for a different Ticker value and is not sent the message.

3.1. Topics

A topic is a string that is used to declare a subject of interest for purposes of routing messages between publishers and subscribers. Topic-based Publish and-Subscribe (e.g., Pub/Sub) is the simplest form of Pub/Sub filtering. All messages are published with a topic designation to the AMPS engine, and subscribers will receive messages for topics to which they have subscribed.

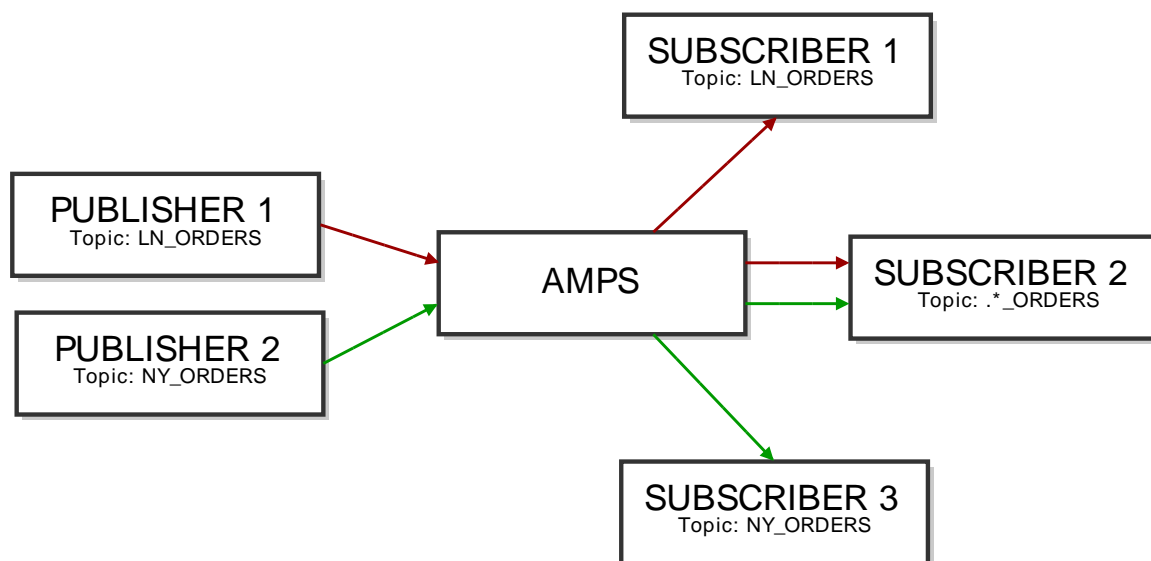


Figure 3.2. Topic Based Pub/Sub

For example, in Section 3.1, there are two publishers: Publisher 1 and Publisher 2 which publish to the topics `LN_ORDERS` and `NY_ORDERS`, respectively. Messages published to AMPS are filtered and routed to the subscribers of a respective topic. For example, Subscriber 1, which is subscribed to all messages for the `LN_ORDERS` topic will receive everything published by Publisher 1. Subscriber 2, which is subscribed to the regular expression topic `.*_ORDERS` will receive all orders published by Publisher 1 and 2.

Regular expression matching makes it easy to create topic paths in AMPS. Some messaging systems require a specific delimiter for paths. AMPS allows you the flexibility to use any delimiter. However, 60East recommends using characters that do not have significance in regular expressions, such as forward slashes. For example, rather than using `northamerica.orders` as a path, use `northamerica/orders`.

AMPS does not restrict the characters that can be present in a topic name. However, notice that topic names that contain regular expression characters (such as `.` or `*`) will be interpreted as regular expressions by default, which may cause unexpected behavior.

Topics that begin with `/AMPS` are reserved. The AMPS server publishes messages to topics that begin with `/AMPS` as described in ????. Some versions of the AMPS client libraries may internally publish to `/AMPS/devnull`. Your applications should not publish to topics that begin with `/AMPS`, and publishes to those topics may fail.

Regular Expressions

With AMPS, a subscriber can use a regular expression to simultaneously subscribe to multiple topics that match the given pattern. This feature can be used to effectively subscribe to topics without knowing the topic names in advance. Note that the messages themselves have no notion of a topic pattern. The topic for a given message is unambiguously specified using a literal string. From the publisher's point of view, it is publishing a message to a topic; it is never publishing to a topic pattern.

Subscription topics are interpreted as regular expressions if they include special regular expression characters. Otherwise, they must be an exact match. Some examples of regular expressions within topics are included in Table 3.1.

Table 3.1. Topic Regular Expression Examples

Topic	Behavior
<code>^trade\$</code>	matches only “trade”.
<code>^client.*</code>	matches “client”, “clients”, “client001”, etc.
<code>.*trade.*</code>	matches “NYSEtrades”, “ICEtrade”, etc.

For more information regarding the regular expression syntax supported within AMPS, please see the *Regular Expression* chapter in the *AMPS User Guide*.

AMPS can be configured to disallow regular expression topic matching for subscriptions. See the *AMPS Configuration Guide* for details.

3.2. Filtering Subscriptions By Content

One thing that differentiates AMPS from classic messaging systems is its ability to route messages based on message content. Instead of a publisher declaring metadata describing the message for downstream consumers, the publisher can simply publish the message content to AMPS and let AMPS examine the native message content to determine how best to deliver the message.

The ability to use content filters greatly reduces the problem of oversubscription that occurs when topics are the only facility for subscribing to message content. The topic space can be kept simple and content filters used to deliver only the desired messages. The topic space can reflect broad categories of messages and does not have to be polluted with metadata that is usually found in the content of the message. In addition, many of the advanced features of AMPS such as out-of-focus messaging, aggregation, views, and SOW topics rely on the ability to filter content.

Content-based messaging is somewhat analogous to database queries that include a `WHERE` clause. Topics can be considered tables into which rows are inserted (or updated). A subscription is similar to issuing a `SELECT` from the topic table with a `WHERE` clause to limit the rows which are returned. Topic-based messaging is analogous to a `SELECT` on a table with no limiting `WHERE` clause.

AMPS uses a combination of XPath-based identifiers and SQL-92 operators for content filtering. Some examples are shown below:

Example Filter for a JSON message

```
(/Order/Instrument/Symbol == 'IBM') AND
(/Order/Px >= 90.00 AND /Order/Px < 91.00)
```

Example Filter for an XML Message:

```
(/FIXML/Order/Instrmt/@Sym == 'IBM') AND (/FIXML/Order/@Px
    >= 90.00 AND /FIXML/Order/@Px < 91.0)
```

Example Filter for a FIX Message:

```
/35 < 10 AND /34 == /9
```

For more information about how content is handled within AMPS, check out the *Content Filtering* chapter in the *AMPS User Guide*.



Unlike some other messaging systems, AMPS lets you use a relatively small set of topics to categorize messages at a high level and use content filters to retrieve specific data published to those topics. Examples of good, broad topic choices:

trades, positions, MarketData, Europe, alerts

This approach makes it easier to administer AMPS, easier for publishers to decide which topics to publish to, and easier for subscribers to be sure that they've subscribed to all relevant topics.

Chapter 4. State of the World (SOW)

One of the core features of AMPS is the ability to persist the most recent update for each message matching a topic. The State of the World can be thought of as a database where messages published to AMPS are filtered into topics, and where the topics store the latest update to a message. Since AMPS subscriptions are based on the combination of topics and filters, the State of the World (SOW) gives subscribers the ability to quickly resolve any differences between their data and updated data in the SOW by querying the current state of a topic, or a set of messages inside a topic.

4.1. How Does the State of the World Work?

Much like a relational database, AMPS SOW topics contain the ability to persist the most recent update for each message. AMPS identifies a message by using a unique key for the message. The SOW key for a message is similar to the primary key in a relational database: each value of the key is a unique message. The first time a message is received with a particular SOW key, AMPS adds the message to the SOW. Subsequent messages with the same SOW key value update the message.

AMPS assigns a SOW key based on the content of the message. The fields to use for the key are specified in the SOW topic definition, and consist of one or more XPath expressions. AMPS finds the specified fields in the message and computes a SOW key based on the name of the topic and the values in these fields.

The following diagrams demonstrate how the SOW works.

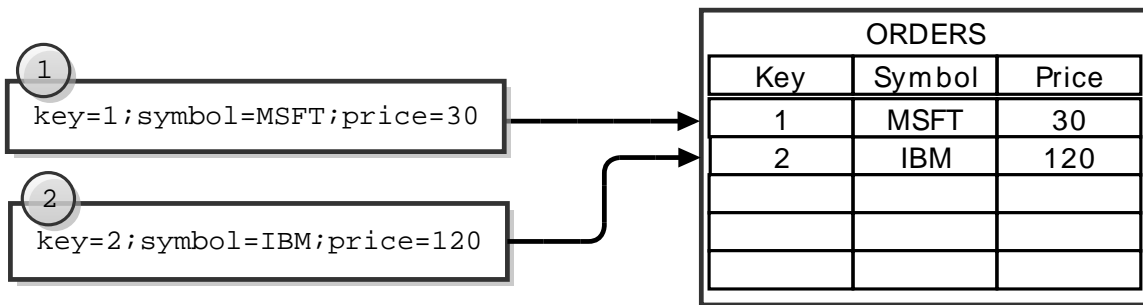


Figure 4.1. A SOW topic named ORDERS with a key definition of /Key

In Figure 4.1, two messages are published where neither of the messages have matching keys existing in the ORDERS topic, the messages are both inserted as new messages. Some time after these messages are processed, an update comes in for the MSFT order changing the price from 30 to 35. Since the MSFT order update has a key field of 1, this matches an existing record and overwrites the existing message containing the same key, as seen in Figure 4.2.

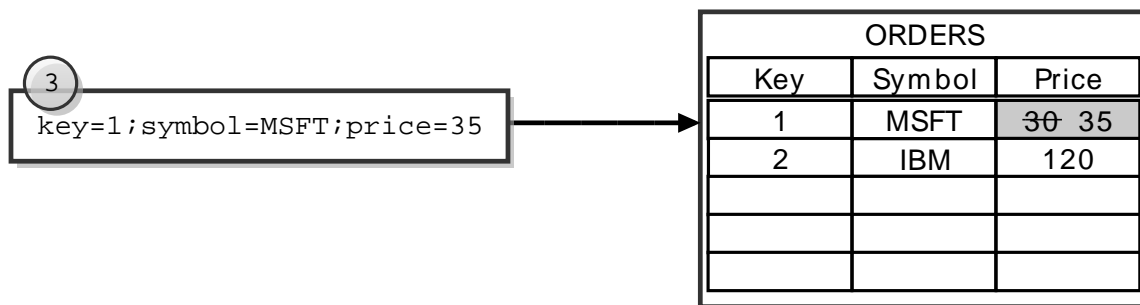


Figure 4.2. Updating the MSFT record by matching incoming message keys

By default, state of the world topics are *persistent*. For persistent topics, AMPS stores the contents of the state of the world in a dedicated, memory-mapped file. This means that the total state of the world does not need to fit into memory, and that the contents of the state of the world database are maintained across server restarts. You can also define a *transient* state of the world topic, which does not store the contents of the SOW to a persisted file.

The state of the world file is separate from the transaction log, and you do not need to configure a transaction log to use a SOW. When a transaction log is present that covers the SOW topic, on restart AMPS uses the transaction log to keep the SOW up to date. When the latest transaction in the SOW is more recent than the last transaction in the transaction log (for example, if the transaction log has been deleted), AMPS takes no action. If the transaction log has newer transactions than the SOW, AMPS replays those transactions into the SOW to bring the SOW file up to date. If the SOW file is missing or damaged, AMPS rebuilds the state of the world by replaying the transaction log from the beginning of the log.

When the state of the world is transient, AMPS does not store the state of the world across restarts. In this case, AMPS does not synchronize the state of the world with the transaction log when the server starts. Instead, AMPS tracks the state of the world for messages that occur while the server is running, without replaying previous messages into the SOW.

4.2. Queries

At any point in time, applications can issue SOW queries to retrieve all of the messages that match a given topic and content filter. When a query is executed, AMPS will test each message in the SOW against the content filter specified and all messages matching the filter will be returned to the client. The topic can be a literal topic name or a regular expression pattern. For more information on issuing queries, please see the *SOW Queries* chapter in the *AMPS User Guide*.

4.3. Configuration

Topics where SOW persistence is desired can be individually configured within the SOW section of the configuration file. Each topic will be defined with a `Topic` section enclosed within SOW. The *AMPS Configuration Reference* contains a description of the attributes that can be configured per topic. `TopicMetaData` is a synonym for SOW provided for compatibility with previous versions of AMPS. Likewise, `TopicDefinition` is a synonym for the `Topic` element of the SOW section, provided for compatibility with versions of AMPS prior to 5.0.

Table 4.1. SOW/Topic

Element	Description
FileName	<p>The file where the State of the World (SOW) data will be stored.</p> <p>This element is required for SOW topics with a <code>Durability</code> of <code>persistent</code> (the default) because those topics are persisted to the filesystem. This is not required for SOW topics with a <code>durability</code> of <code>transient</code>.</p>
MessageType	<p>Type of messages to be stored. To use AMPS generated SOW keys, the message type specified must support content filtering so that AMPS can determine the SOW key for the message. All of the default message types, except <code>binary</code>, support content filtering. Since the <code>binary</code> message type does not support content filtering, that type can only be used for a SOW when publishers use explicit keys.</p> <p>See the "Message Types" chapter in the <i>AMPS User Guide</i> for a discussion of the message types that AMPS loads by default. Some message types (such as Google Protocol Buffers) require additional configuration, and must be configured before using the message type in a SOW topic.</p>
Name	<p>The name of the SOW topic - all unique messages (see <code>Key</code>) on this topic will be stored in a topic-specific SOW database.</p> <p>If no <code>Name</code> is provided, AMPS accepts <code>Topic</code> as a synonym for <code>Name</code> to provide compatibility with versions of AMPS previous to 5.0.</p>
Key	<p>Specifies an XPath within each message that AMPS will use to generate a SOW key, which determines whether a message is unique. This element can be specified multiple times to create a composite key from the combined value of the specified <code>Key</code> elements.</p> <p>When one or more <code>Key</code> elements is specified for the SOW, AMPS generates the SOW key for each message. When no <code>Key</code> field is specified, publishers must explicitly provide the SOW key for each message published to this topic.</p> <p>60East recommends configuring a <code>Key</code> and having AMPS generate the SOW key for a message unless your application has specific needs that make this impractical.</p> <p>AMPS automatically creates a hash index for the set of fields specified in the <code>Key</code> elements.</p>
HashIndex	<p>AMPS provides the ability to do fast lookup for SOW records based on specific fields.</p> <p>When one or more <code>HashIndex</code> elements are provided, AMPS creates a hash index for the fields specified in the element. These indexes are created on startup, and are kept up to date as records are added, removed, and updated.</p> <p>The <code>HashIndex</code> element contains a <code>Key</code> element for each field in the hash index.</p> <p>AMPS uses a hash index when a query uses a exact matching for all of the fields in the index. AMPS does not use hash indexes for range queries or regular expressions.</p> <p>AMPS automatically creates a hash index for the set of fields specified in the set of <code>Key</code> fields for the SOW, if those fields are specified.</p>
RecoveryPoint	<p>For SOW topics that are covered by the transaction log, the point from which to recover the SOW if the SOW file is removed, or if the SOW topic has <code>transient</code> duration.</p> <p>This configuration item allows two values:</p>

Element	Description
	<ul style="list-style-type: none"> • <code>epoch</code> recovers the SOW from the beginning of the transaction log • <code>now</code> recovers the SOW from the current point in the transaction log <p>Defaults to <code>epoch</code>.</p>
Index	<p>AMPS supports the ability to precreate memo indexes for specific fields using the <code>Index</code> configuration option.</p> <p>When one or more <code>Index</code> elements are provided, AMPS creates memo indexes for any field specified in an <code>Index</code> element on startup, before a query that uses that field runs. Otherwise, AMPS indexes each field the first time a query uses the field. Adding one or more <code>Index</code> configurations to a <code>SOW/Topic</code> can improve retrieval performance the first time a query that contains the indexed fields runs for large SOW topics.</p>
SlabSize	<p>The size of each allocation for the SOW file, as a number of bytes. When AMPS needs more space for the SOW, it requests this amount of space from the operating system. This effectively sets the maximum message size that AMPS guarantees can be stored in the SOW.</p> <p>60East recommends setting this value only if you will be storing messages larger than the default <code>SlabSize</code> or if performance or capacity testing indicates a need to tune SOW performance. If you plan to store messages larger than the default setting, 60East recommends a starting value of several times the maximum message size. For example, if your maximum message size is 2MB, a good starting point for <code>SlabSize</code> would be 8MB.</p> <p>If it becomes necessary to tune the <code>SlabSize</code>, see the <i>Best Practices</i> and <i>Capacity Planning</i> sections of the AMPS User Guide for a full discussion tuning the <code>SlabSize</code>.</p> <p>Default: 1MB</p>
InitialSlabCount	<p>The number of SOW slabs that AMPS will allocate on startup.</p> <p>Default: 1</p> <p>Maximum: 1024</p>
Expiration	<p>Time for how long a record should live in the SOW database for this topic. The expiration time is stored on each message, so changing the expiration time in the configuration file will not affect the expiration of messages currently in the SOW.</p> <p>AMPS accepts interval values for the <code>Expiration</code>, using the interval format described in the AMPS Configuration Guide section on units, or one of the following special values:</p> <ul style="list-style-type: none"> • A value of <code>disabled</code> specifies that AMPS will not process SOW expiration for this topic, regardless of any expiration value set on the message. In this case, AMPS saves the expiration for the message, but does not process it. The value must be set to <code>disabled</code> (the default) if <code>History</code> is enabled for this topic. • A value of <code>enabled</code> specifies that AMPS will process SOW expiration for this topic, with no expiration set by default. Instead, AMPS uses the value set on the individual messages (with no expiration set for messages that do not contain an expiration value). <p>Default: <code>disabled</code> (never expire)</p>

Element	Description
KeyDomain	<p>The seed value for SowKeys used within the topic. The default is the topic name, but it can be changed to a string value to unify SowKey values between different topics.</p> <p>For example, if your application has a ShippingAddress SOW and a CreditRating SOW that both use /customerID as the SOW key, you can use a KeyDomain to ensure that the generated SowKey for a given /customerID is identical for both SOW topics. This does not affect how AMPS processes the SOW topics, but can make correlating information from different SOW topics easier in your application.</p> <p>Default: the name of the SOW topic</p>
Durability	<p>Defines the data durability of a SOW topic. SOW databases listed as persistent are stored to the file system, and retain their data across instance restarts. Those listed as transient are not persisted to the file system, and are reset each time the AMPS instance restarts.</p> <p>Default: persistent</p> <p>Valid values: persistent or transient</p> <p>Synonyms: Duration is also accepted for this parameter for backward compatibility with configuration prior to 4.0.0.1</p>
History	<p>Enable historical query for this SOW. This element contains a Window and Granularity element. When the History element is present, historical query is enabled for this sow. Otherwise, AMPS does not enable historical query and does not store the historical state of the SOW.</p> <p>Expiration must be disabled when History is enabled.</p>
Window	<p>For a historical SOW, the length of time to store history. For example, when the value is 1w, AMPS will store one week of history for this SOW.</p> <p>Used within the History element.</p> <p>Default: By default, AMPS does not expire historical SOW data.</p>
Granularity	<p>For a historical SOW, the granularity of the history to store. For many applications, it is not necessary for AMPS to store all of the updates to the SOW. This parameter sets the resolution at which AMPS will save the state of a message.</p> <p>For example, when you set a granularity of 1m, AMPS will save the state of the message no more frequently than once per minute, even when the state of the message is updated several times a minute.</p> <p>Used within the History element.</p>
DEPRECATED: RecordSize	<p><i>This parameter is deprecated beginning in AMPS 5.0. Use the SlabSize parameter instead.</i> Size (in bytes) of a SOW record for this topic.</p> <p>Default: 512</p>
DEPRECATED: InitialSize	<p><i>This parameter is deprecated beginning in AMPS 5.0. Use the InitialSlabCount parameter instead.</i> Initial size (in records) of the SOW database file for this topic.</p> <p>Default: 2048</p>

Element	Description
DEPRECATED: IncrementSize	<i>This parameter is deprecated beginning in AMPS 5.0. Use the SlabSize parameter instead.</i> Number of records to expand the SOW database (for this topic) by when more space is required. Default: 1000

The listing in Example 4.1 is an example of using `Topic` to add a SOW topic to the AMPS configuration. One topic named `ORDERS` is defined as having key `/invoice`, `/customerId` and `MessageType` of `json`. The persistence file for this topic be saved in the `sow/ORDERS.json.sow` file. For every message published to the `ORDERS` topic, a unique key will be assigned to each record with a unique combination of the fields `/invoice` and `/customerId`. A second topic named `ALERTS` is also defined with a `MessageType` of `xml` keyed off of `/client/id`. The SOW persistence file for `ALERTS` is saved in the `sow/ALERTS.xml.sow` file.

```
<SOW>
  <Topic>
    <Name>ORDERS</Name>
    <FileName>sow/%n.sow</FileName>
    <Key>/invoice</Key>
    <Key>/customerId</Key>
    <MessageType>json</MessageType>
    <SlabSize>1MB</SlabSize>
    <HashIndex>
      <Key>/region</Key>
    </HashIndex>
  </Topic>

  <Topic>
    <Name>ALERTS</Name>
    <FileName>sow/%n.sow</FileName>
    <Key>/alert/id</Key>
    <MessageType>xml</MessageType>
  </Topic>
</SOW>
```

Example 4.1. Sample SOW configuration



Topics are scoped by their message type.

For example, two topics named `Orders` can be created one which supports `MessageType` of `json` and another which supports `MessageType` of `xml`.

Each of the `MessageType` entries that are defined for the `Orders` topic will require that `Transport` in the configuration file can accept messages of that type. Otherwise, there is no way for a publisher to publish messages of that type to this instance or for a subscriber to receive messages of that type from this instance.

This means that messages published to the `Orders` topic must know the type of message they are sending (`json` or `xml`) and the port defined by the transport.

Chapter 5. Advanced Topics

While there is much more content beyond the scope of this document, AMPS provides many of the following additional utilities and guides for you to learn about the many feature of AMPS.

5.1. Event Logging

AMPS provides a rich logging framework that supports logging to many different targets including the console, syslog, and files. Every error and event message within AMPS is uniquely identified and can be filtered out or explicitly included in the logger output. The *AMPS User Guide* describes the AMPS logger configuration and the unique settings for each logging target.

5.2. Message Record and Replay

AMPS supports a fully-queryable transaction log. You can configure the transaction log to keep a journal of incoming messages for one or more topics, and then replay those messages, in order, from any point in time. This capability is often used for historical analysis or backtesting. In addition, this capability can be used to provide high availability, ensuring that clients do not miss messages in a message stream even if the client fails while processing messages.

The AMPS clients provide resumable subscription capability that works with the transaction log. Using this capability, you can create applications that ensure that clients never miss a message, even if the client is shut down and restarted.

5.3. Message Queues

AMPS includes high performance queuing built on the AMPS messaging engine and transaction log. AMPS message queues combine elements of classic message queuing with the advanced messaging features of AMPS, including content filtering, aggregation and projection, historical replay, and so on. The *Message Queues* chapter in the *AMPS User Guide* presents an overview of message queues.

AMPS message queues help you easily solve some common messaging problems:

- Ensuring that a message is only processed once
- Distributing tasks across workers in a fair manner
- Ensuring that a message is delivered to and processed by a worker
- Ensuring that when a worker fails to process a message, that message is redelivered

While it's possible to create applications with these properties by using the other features of AMPS, message queues provide these functions built into the AMPS server. In addition, message queues allow you to:

- Replicate messages between AMPS instances while preserving delivery guarantees
- Create views and aggregates based on the current contents of a queue
- Filter messages into and out of a queue

- Provide a single published message to multiple queues
- Aggregate multiple topics into a single queue

Use message queues when you need to ensure that a message is processed by a single consumer. When you need to distribute messages to a number of consumers, use the AMPS pub/sub delivery model.

The AMPS client libraries, starting in version 5.0, are queue-aware and contain features to make it easier to work with queues and create the application behavior that you need. See the *Developer Guide* for the client library of your choice for details on how to use these features.

5.4. Conflated Topics

To further reduce network bandwidth consumption, AMPS supports a form of SOW topic called a “conflated topic.” A conflated topic is a copy of one SOW topic into another with the ability to control the update interval. Changes to a message that occur between updates are conflated into a single message that represents the current state of the message.

To better see the value in a conflated topic, imagine a SOW topic called `ORDER_STATE` exists in an AMPS instance. `ORDER_STATE` messages are published frequently to the topic. Meanwhile, there are several subscribing clients that are watching updates to this topic and displaying the latest state in a GUI front-end.

If this GUI front-end only needs updates in five second intervals from the `ORDER_STATE` topic, then more frequent updates would be wasteful of network and client-side processing resources. To reduce network congestion, a conflating topic replica of the `ORDER_STATE` topic can be created which will contain a copy of `ORDER_STATE` updated in five second intervals. Only the changed records from `ORDER_STATE` will be copied to the conflating replica topic and then sent to the subscribing clients. Those records with multiple updates within the time interval will have their latest updated values sent during replication, resulting in substantial savings in bandwidth for single records with high update rates.

5.5. View Topics and Aggregation

AMPS contains a high-performance aggregation engine, which can be used to project one topic onto another, similar to the `CREATE VIEW` functionality found in most RDBMS software. Views can `JOIN` multiple topics together, including topics with different message types.

5.6. Historical SOW Query

AMPS allows you to configure a SOW topic to retain the historical state of the SOW, on a configurable granularity. You can then query for the state of the SOW at a point in time, and retrieve results from the saved state.

5.7. Utilities

AMPS provides several utilities that are not essential to message processing, but can be helpful in troubleshooting or tuning an AMPS instance. The *User Guide* and *Utility Reference* describe these utilities in detail. The utilities include:

- A command-line client, `spark`, as a useful tool for diagnostics, such as checking the contents of a SOW topic. The `spark` client can also be used for simple scripting to run queries, place subscriptions, and publish data.
- `ampserr` is used to expand and examine error messages that may be observed in the logs. This utility allows a user to input a specific error code, or a class of error codes, examine the error message in more detail, and where applicable, view known solutions to similar issues.
- `amps_sow_dump` is used to inspect the contents of a SOW topic store.
- `amps_journal_dump` is used to examine the contents of an AMPS journal file during debugging and program tuning.

More information about each of these utilities, including usage and examples, can be found in the *AMPS Utilities User Guide*.

5.8. Monitoring Interface

AMPS provides a monitoring interface which contains information about the state of the host system (CPU, memory, disk and network) as well as statistics about the state of the AMPS instance it is monitoring (clients, SOW state, Journal State and more). AMPS provides this information through a RESTful interface for ease of integration into existing enterprise monitoring systems.

AMPS can also record statistics in a persistent SQLite database, which can be queried using the standard SQLite toolset.

More information about the monitoring system provided in AMPS can be found in the *AMPS Monitoring Reference Guide*. More information about the statistics database is provided in the *Statistics Database Reference*.

5.9. High Availability

The *High Availability* chapter in the *AMPS User Guide* will showcase the powerful High Availability features that AMPS provides. This chapter describes how to use the AMPS transaction log and AMPS replication to provide failover strategies and high availability guarantees.

The AMPS approach to high availability

Chapter 6. Next Steps

Now that you understand the basics of how AMPS works, you have two potential paths forward in your usage of the product:

- On one path, you may want to learn how to configure, deploy, and administer your own instance of AMPS. For this path, see the *User Guide*, which provides complete information for system administrators who are responsible for the deployment, availability and management of data to other users.
- Alternatively, you may need to develop an application to work with AMPS, using one of the Developer Guides for Java, Python, C++, or C#. For this path, download one of the evaluation kits from the AMPS developer page at <http://www.crankuptheamps.com/developer>.

The following sections provide more information about each of these paths and also briefly describes some use cases for AMPS.

6.1. Operation and Deployment

In preparing to deploy your instance of AMPS, you must size your host environment according to multiple dimensions: memory, storage, CPU, and network. The “Operation and Deployment” chapter in the *AMPS User Guide* provides guidelines and best practices for configuring the host environment. The chapter also specifies recommended settings for running AMPS on a Linux operating system.

6.2. Application Development

Each language-specific *Development Guide* explains how to install, configure, and develop applications that use AMPS. In order to develop applications using an AMPS client, you must understand the basic concepts of AMPS, such as *topics*, *subscriptions*, *messages* and *SOW*.

You will also need an installed and running AMPS server to use the product. Although you can type and compile programs that use AMPS without a running server, you will get the most benefit by running the programs against a working server. An evaluation version of AMPS is available from <http://www.crankuptheamps.com/evaluate>.

Index

Symbols

60East Technologies, 5

A

Admin view, 7

AMPS

- installation, 6

- logging, 19

- starting, 6

- state, 13

- Topic Replicas, 20

- topics, 9

- transaction log, 19

- utilities, 20

- Views, 20

ampServer-compat, 7

AMPS_PLATFORM_COMPAT, 7

Availability, 21

C

Caching, 13

compatibility

- with previous versions, 4

F

FileName

- SOW/Topic, 15

H

High availability, 21

Highlights, 1

historical SOW

- enabling, 17

I

installation, 6

J

JSON messages, 7

L

Last value cache, 13

Logging, 19

M

message expiration, 16

message queues, 19

message replay, 19

Monitoring Interface, 21

O

Operating systems, 2

overview, 1

P

Platforms, 2

Pub/sub, 9

Publish, 9

Publish and subscribe, 9

Q

queues, 19

R

Regular expressions, 10

- topics, 10

Replication, 21

S

SOW, 13

- configuration, 14

- queries, 14

- rebuilding from transaction log, 14

- topic definition, 14

spark utility, 7

starting, 6

State of the World (SOW), 13

storage, 13

Subscribe, 9

Support, 3

- channels, 5

- technical, 3

Supported platforms, 2

T

Technical support, 3

Topic Replicas, 20

TopicDefinition

- synonym for Topic, 14

Topics

- intro, 9

- regular expressions, 10

Transactions, 21

U

Utilities, 20

- ampserr, 20

- amps_journal_dump, 20

- amps_sow_dump, 20

V

version numbers, 4

Views, 20